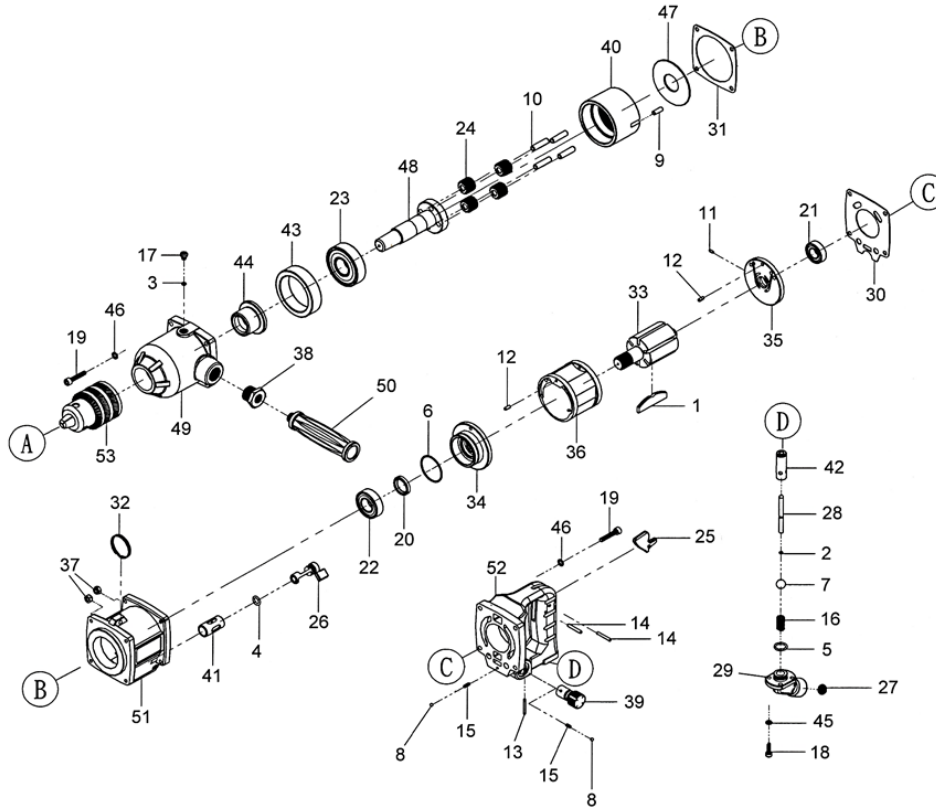


GP-0602B 5/8" REVERSIBLE DRILL



PARTS DESCRIPTION

<u>NO.</u>	<u>DESCRIPTION</u>
01.	Rotor Blade (6)
02.	O-Ring (P2*1.5)
03.	O-Ring (P3.5*1.5)
04.	O-Ring (P9.2*2.5)
05.	O-Ring (P14*2.4)
06.	O-Ring (P37.82*1.78)
07.	Plastic Ball(φ12.7)
08.	Steel Ball (φ4mm) (2)
09.	Pin (φ6*15.8)
10.	Pin (φ7.5*29) (4)
11.	Pin (φ3*8)
12.	Pin (φ4*10) (2)
13.	Pin (φ3*26)
14.	Pin (φ4*27) (2)
15.	Spring (2)
16.	Spring
17.	Screw
18.	Screw (4)
19.	Screw (8)
20.	Oil Seal
21.	Ball Bearing (6002-2z)
22.	Ball Bearing (6004-2z)
23.	Ball Bearing (6305-2z)
24.	Gear (4)
25.	Switch Lever
26.	Reverse Valve
27.	Filter

PARTS DESCRIPTION

<u>NO.</u>	<u>DESCRIPTION</u>
28.	Valve Rod
29.	Air Inlet
30.	Packing
31.	Packing
32.	Hook
33.	Rotor
34.	Front Plate
35.	Rear Plate
36.	Cylinder
37.	Bolt (8)
38.	Bolt
39.	Speed Switch
40.	Gear Ring
41.	Bushing
42.	Bushing
43.	Bushing
44.	Bushing
45.	Washer (4)
46.	Washer (8)
47.	Washer
48.	Driving Rod
49.	Front Cap
50.	Handle
51.	Handle
52.	Handle
53.	Chuck